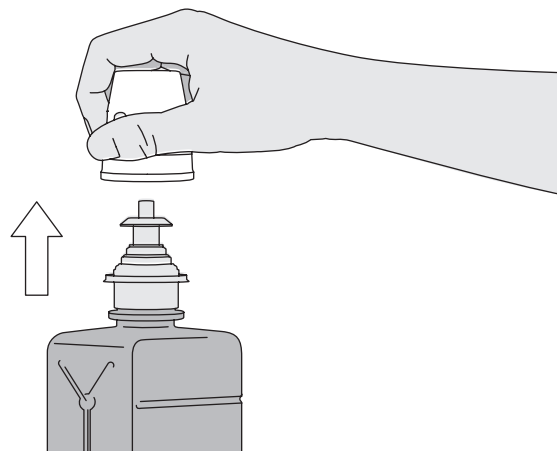
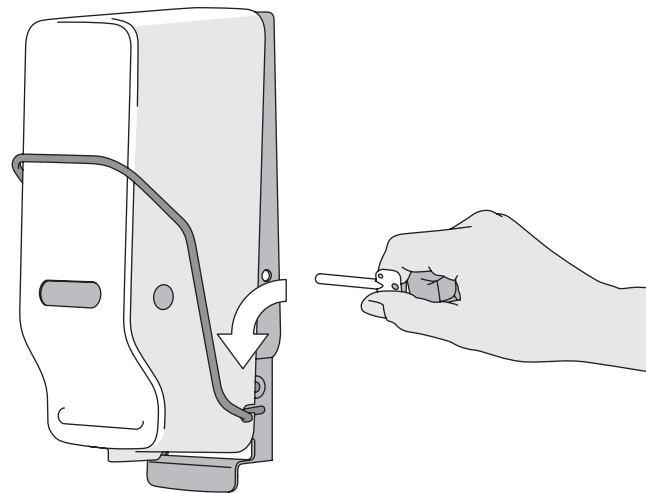


B**INSERTING THE BOTTLE**

1. Remove protective cap



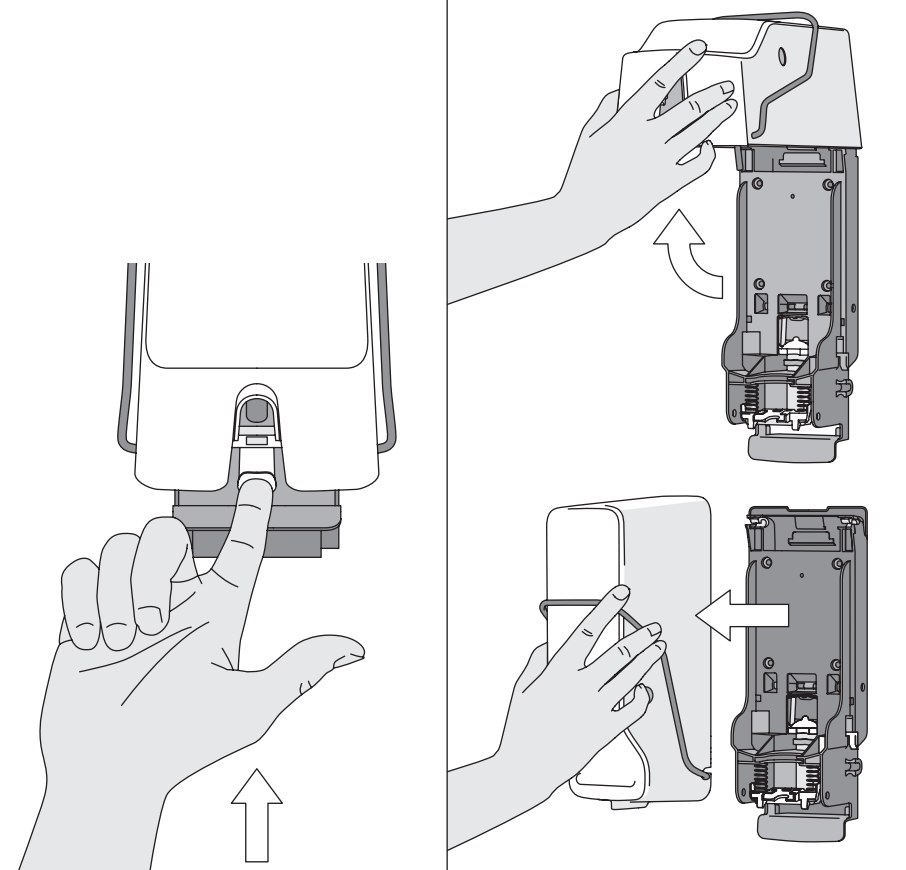
2. Unlock cover



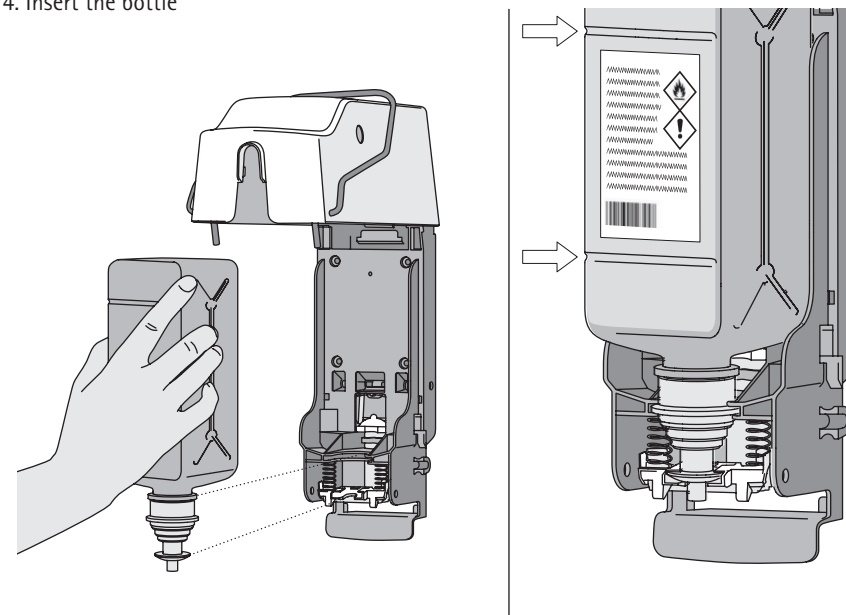
3. Open / remove cover

Open by pressing gently

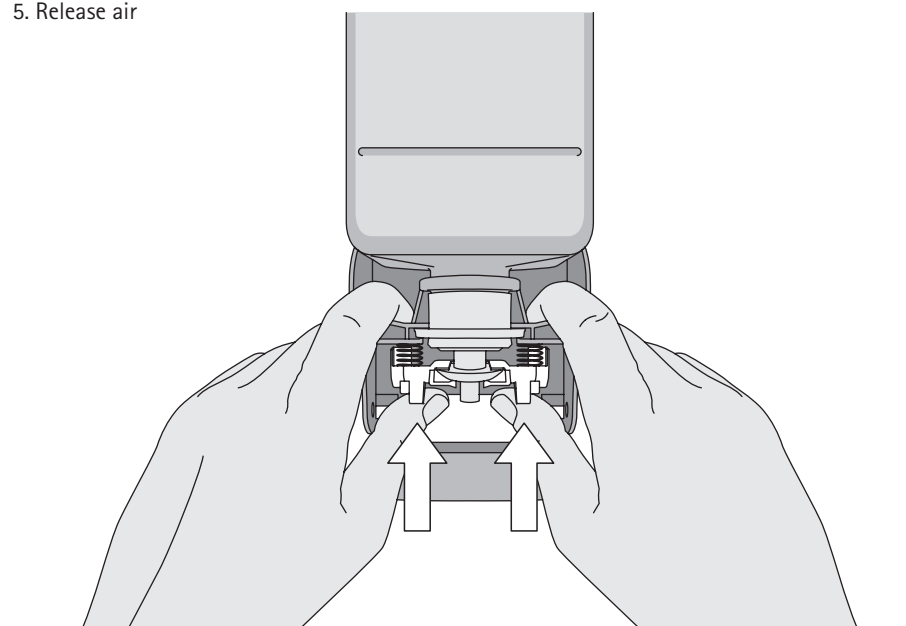
To remove the cover completely, press firmly (as far as it will go).



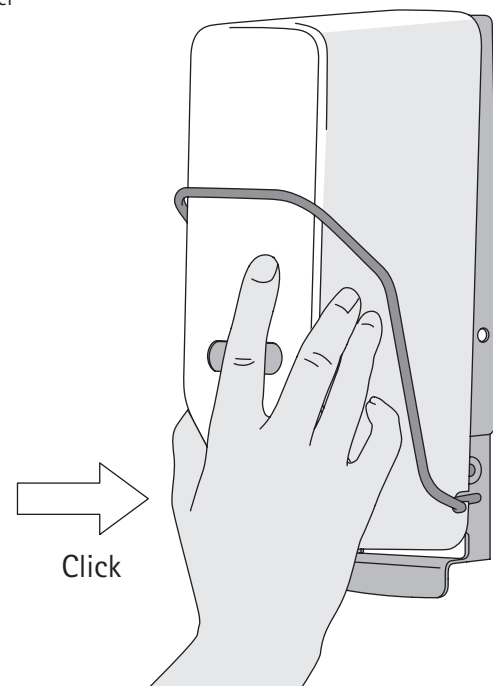
4. Insert the bottle



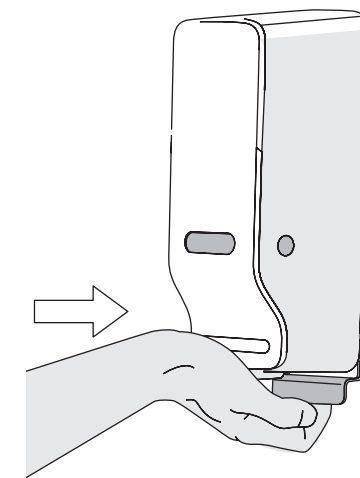
5. Release air



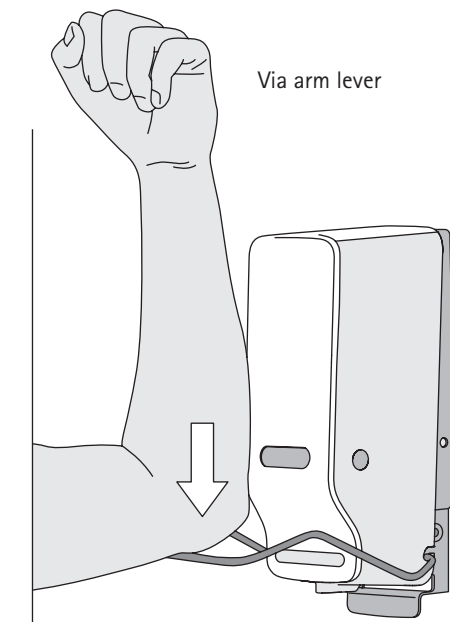
6. Close dispenser and lock cover

**C****HOW TO USE**

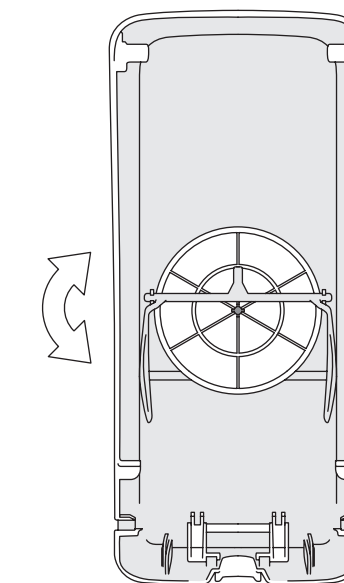
Via cover



Via arm lever

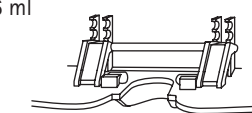
**ADDITIONAL FEATURES**

Adjustable rotary disc indicator with „care“, „disinfect“ and „clean“ settings.

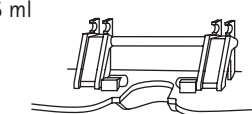


Adjustable dispensing volume with three settings.

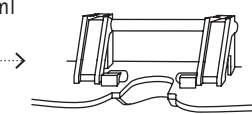
0.6 ml



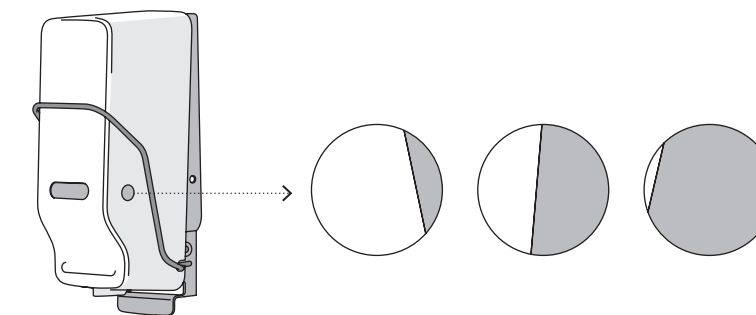
1.5 ml



3 ml



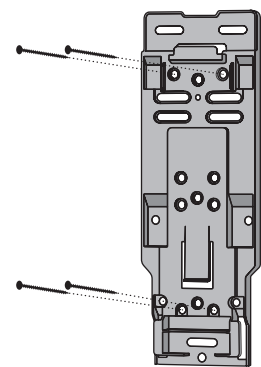
Fill level inspection window.

**General care instructions:**

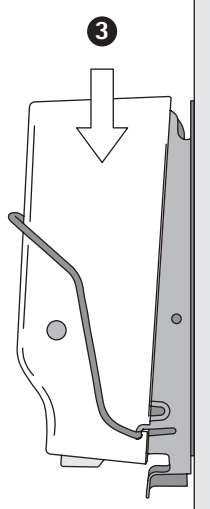
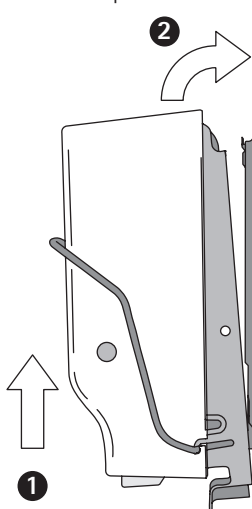
Do not use corrosive, abrasive or chlorine-based detergents to clean the dispenser. We recommend you clean it with a low-alcohol detergent/disinfectant such as Meliseptol® Wipes Sensitive. It can also be cleaned in a cleaning and disinfection unit or a dishwasher. However, do not wash it at machine temperatures exceeding 60 °C. Do not autoclave the dispenser!

WALL MOUNTING WITH BACK PLATE

1. Secure with screws (compatible with a variety of commercially available dispenser hole patterns) cap



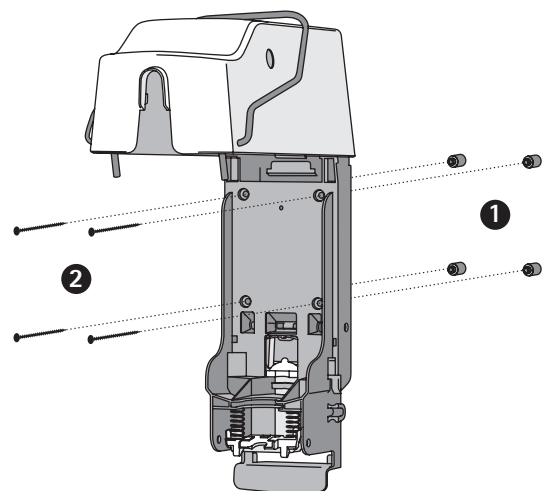
2. Attach dispenser to back plate.



WALL MOUNTING WITHOUT BACK PLATE

1. Put spacers in place

2. Secure with screws



Install the dispenser above or next to a washbasin. If this is not possible, make sure that the contents are prevented from dripping on the floor.

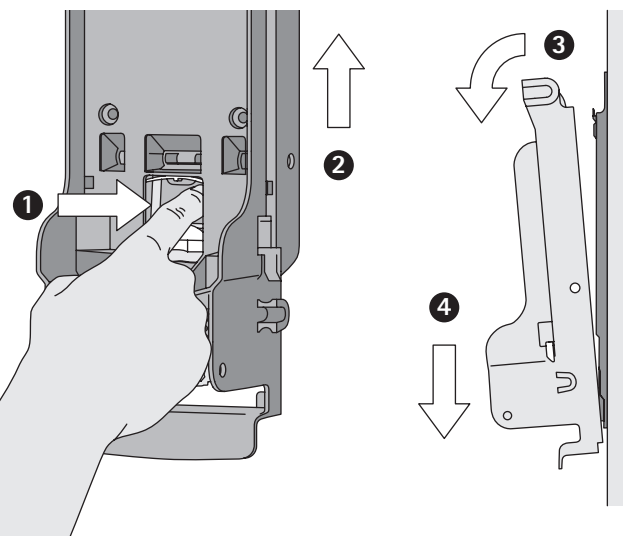
Min. clearance at top: 100 mm (opening)/20 mm (removal)

Min. clearance underneath: 60 mm/130 mm (drip tray)

Suitable installation height: approx. 1,200 mm (from floor to bottom edge of dispenser)

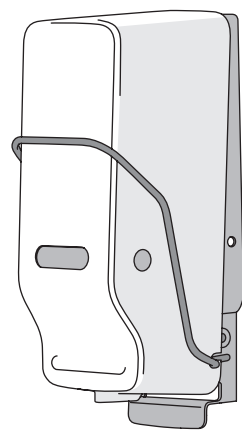
REMOVAL FROM BACK PLATE

Press tab (1) and remove dispenser in direction of arrow (2 - 4)

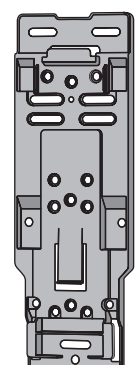


INCLUDED IN DELIVERY

Manual dispenser including installation fittings (3908452)

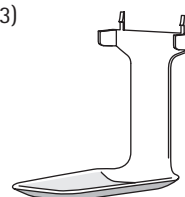


Back plate univ. (l) / NHS (r) (3908459) / (3908471)

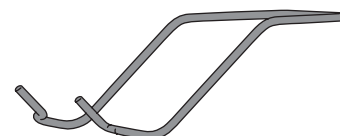


OPTIONAL COMPONENTS

Drip tray (3908453)

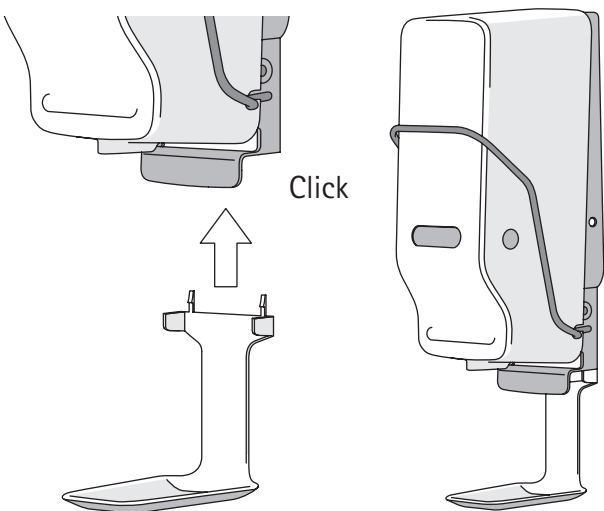


Arm lever (3908454)



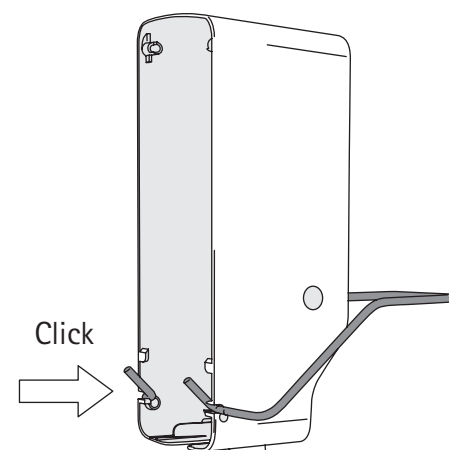
Technical Data: Cover: ABS/SAN / Drip tray (optional): ABS / Arm lever (optional): stainless steel / Universal & NHS back plate (optional): ABS / Installation pack: wall plugs, screws, spacers (4 of each) / Dimensions of basic kit: W 120(135) x H 305 x 135 / Total weight of basic kit: approx. 500 g

ATTACHING OPTIONAL DRIP TRAY

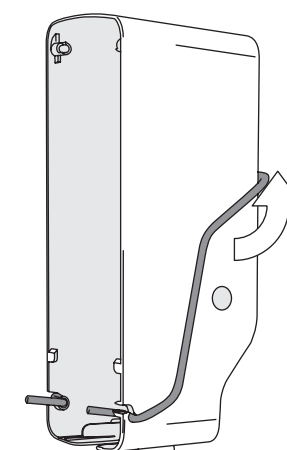


ATTACHING OPTIONAL ARM LEVER

Insert arm lever in retainer

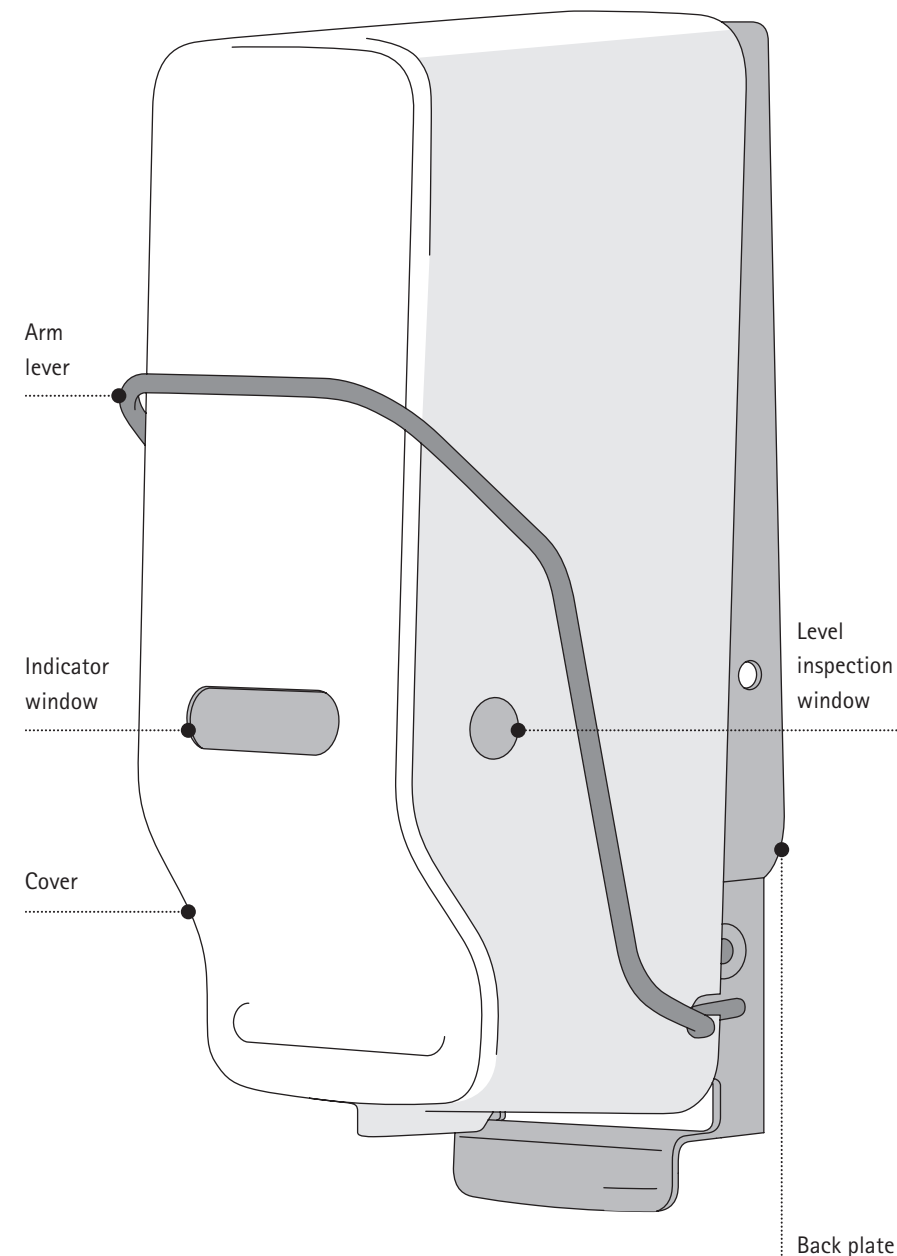


When putting on the cover, lift the lever upwards.



BBM MANUAL WALL DISPENSER 500 / 1000 ml

Article no.: 3908452



B. Braun Medical AG
Seesatz 17
6204 Sempach
Switzerland

IMPORTANT! Please carefully read the operating instructions and save them for reference. The proper function of the dispenser system can only be guaranteed if the procedures in these instructions are followed.

More Languages on /Translations on:
www.bbraun.com/en/products/b1/b-braun-dispensermanual.html

